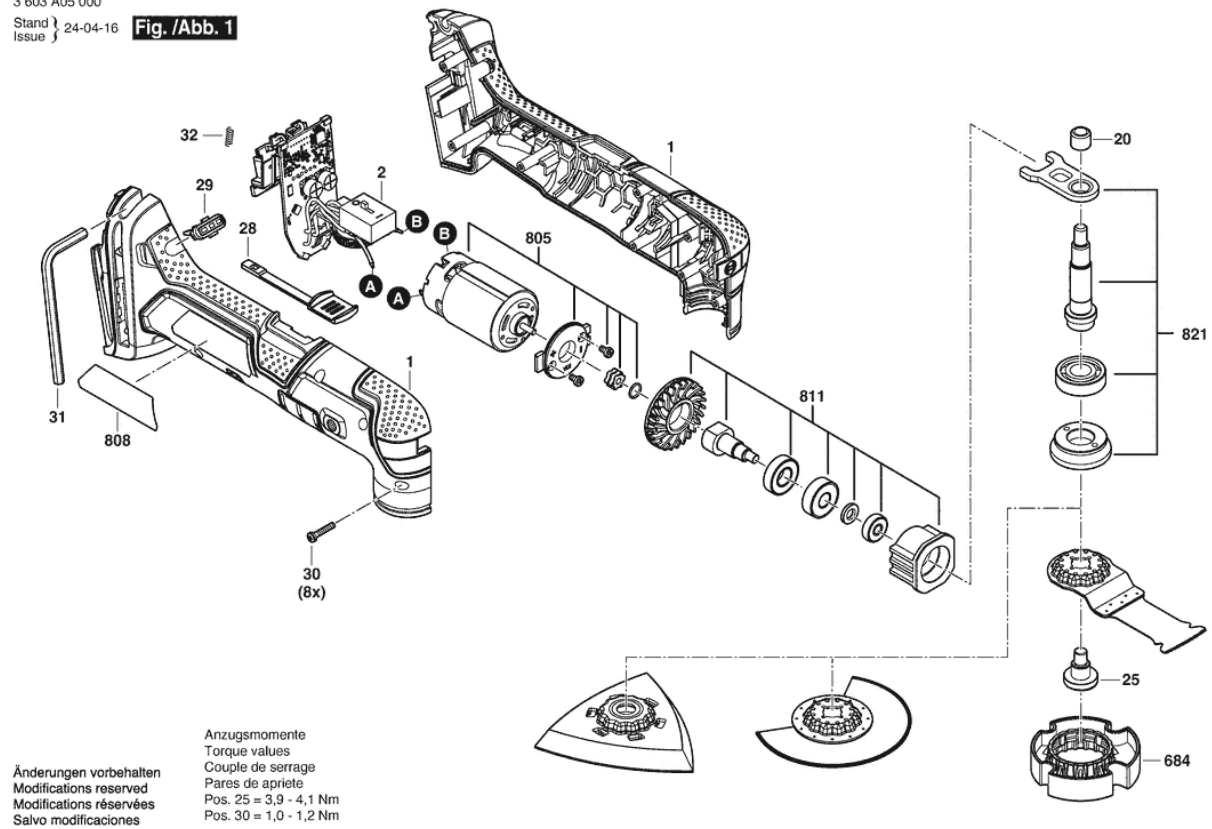


Illustration - Type - E

3 603 A05 000
 Stand } 24-04-16
 Issue } **Fig. /Abb. 1**



Spare parts list

Item	Part Number	Description	Illustration
1	1 600 A02 8DU	Housing	1
2	1 600 A02 7ZM	Electronic Assembly	1
20	2 609 007 459	Sintered-Metal Bushing	1
25	1 603 435 07R	Hex Screw	1
28	1 600 A02 8DW	Slide Button	1
29	1 600 A02 8G1	Lens	1
30	2 609 110 201	Torx Flat-Head Screw 3X16	1
31	2 610 364 015	Hexagon Socket Screw Key 5 MM	1
32	2 604 690 055	Compression Spring	1
684	1 600 A00 87V	Depth gauge	1
805	1 600 A02 ZN5	Motor assembly	1
808	1 601 11A B0X	Nameplate	1
811	1 600 A02 ZN1	Eccentric Unit	1
821	1 600 A02 ZH8	Output Shaft	1